

TK24NF Series: No Frost Thermostat with Fuse

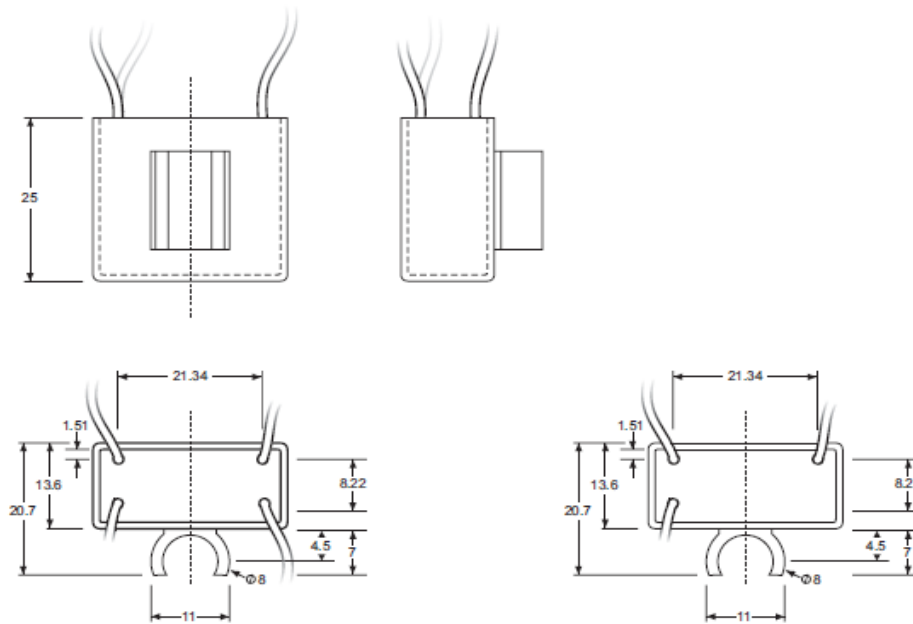


TK24NF (DIN EN 60730-1) thermostat is designed to regulate the work of the defrosting evaporator (thermostat function) and for the emergency electrical interruption of the heating elements of the no-frost system (thermal fuse function). In addition, this device has versions intended only to function as a thermostat or only for the electrical interruption.

BASIC TECHNICAL DATA

Parameter	Value
Rated voltage, V, not more	~250
Rated current, A, at power coeff. 0,95, not more	10
Number of automatic cycles, at rated current 10 A and power coeff. 0,95, not less than	100 000
Thermostat operating temperature, °C	11*
Tolerance of operating temperature, °C	±3
Thermostat reset temperature, °C	-8*
Thermal fuse working temperature, °C	72*
Transient resistance, Ω, not more	0,05
Contact bounce-make, ms, not more	3
Electric strength of insulation, V, not less than	1500
Insulation resistance, MΩ, not less than	50
Heating speed, K/min	minimum-0,1, maximum-1,0
Degrees of protection provided by enclosure	IP64

Note: *Thermostat and thermal fuse operating temperatures can be different from the indicated ones above and can be manufactured on demand.



TK24NF-1

TK24NF-2