



## In-Stock Standard 1/2" Manual Reset Temperature Limiter Thermostats

For more than 25 years, Comstat has been providing thermal solution products to heat, sense and prevent overheating for applications across a variety of markets, all of which have exacting requirements for quality, reliability and performance.

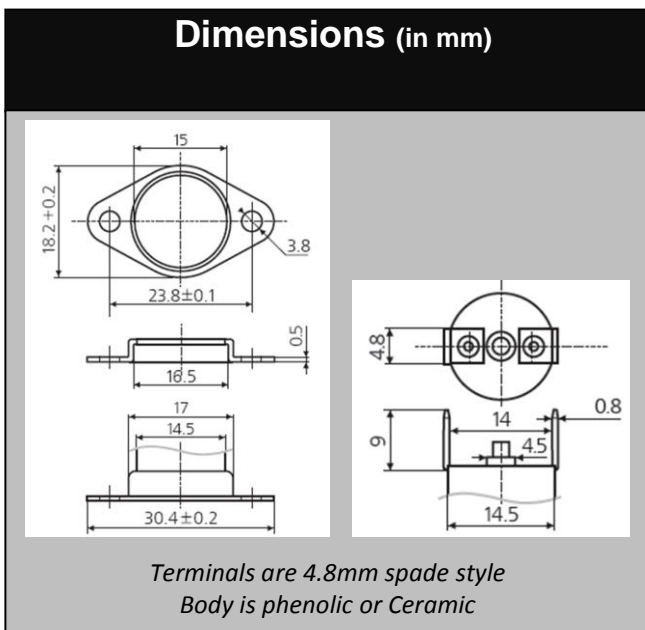
Comstat stocks a large selection of Manual Reset temperature limiting thermostats. These do not automatically reset when the temperature returns to within the operating range – a button must be pushed to return the thermostat to its normal operating mode. These thermostats are primarily used where an over-temperature occurs due to a mechanical issue that must be addressed before resuming operations: for example a blocked pump motor or a bad bearing.



STANDARD STOCK MANUAL RESET THERMOSTATS		
Model	Operating Temp C	Operating Temp F
TK32-60-M12-01	60C +/-3	140F +/-6
TK32-65-M12-01	65C +/-3	149F +/-6
TK32-70-M12-01	70C +/-3	158F +/-6
TK32-75-M12-01	75C +/-3	167F +/-6
TK32-80-M12-01	80C +/-3	176F +/-6
TK32-85-M12-01	85C +/-3	185F +/-6
TK32-90-M12-01	90C +/-3	194F +/-6
TK32-95-M12-01	95C +/-3	203F +/-6
TK32-100-M12-01	100C +/-3	212F +/-6
TK32-105-M12-01	105C +/-3	221F +/-6
TK32-110-M12-01	110C +/-3	230F +/-6
TK32-115-M12-01	115C +/-3	239F +/-6
TK32-120-M12-01	120C +/-3	248F +/-6
TK32-125-M12-01	125C +/-3	257F +/-6
TK32-130-M12-01	130C +/-3	266F +/-6
TK32-135-M12-01	135C +/-3	275F +/-6

In addition to the stock thermostats, Comstat can provide custom mounting, termination and temperature configurations for specific application needs.

Contact Comstat for more information and minimum order requirements.



### General Technical Data

Operation .....	Open on Rise
Rated Voltage Up .....	250 VAC
Rated Current at Power Coefficient 0.95.....	16 Amps
Rated Current at Power Coefficient 0.60.....	10 Amps
Contact Resistance .....	< 0.05 ohms
Life Cycles at 16A .....	≥ 10,000
Response time .....	3ms
Operating Temp .....	As Specified Up to 250C
Dielectric Strength .....	1500 V
Heating Speed °K/min .....	Min. 0.1 ..... max 1.0
Certifications .....	ROHS, UL and VDE